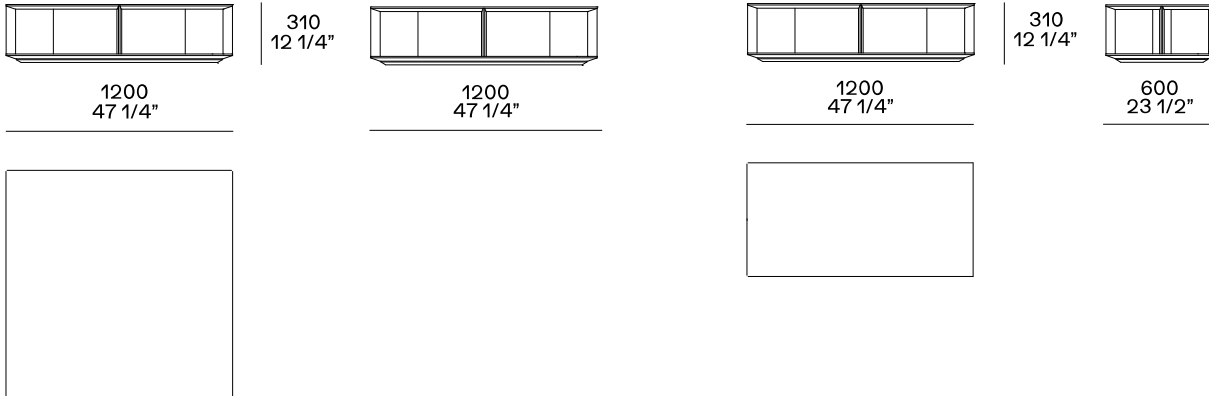




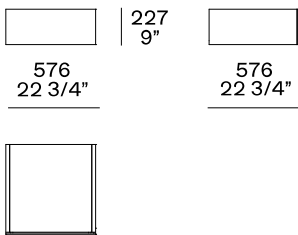
DESCRIPTION

Typology	Coffee table
Structure and base	Medium-density fibre panel veneered
Top	Medium-density fibre panel veneered or marble
Note	Coffee table h475 only if it is placed next to an element of the Westside sofa or next to the coffee table 1300x800mm

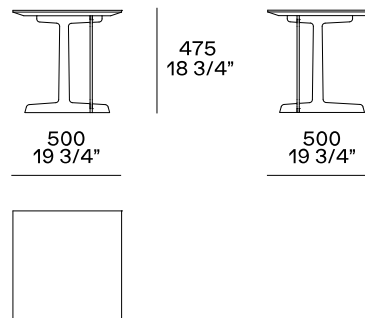
DIMENSIONS



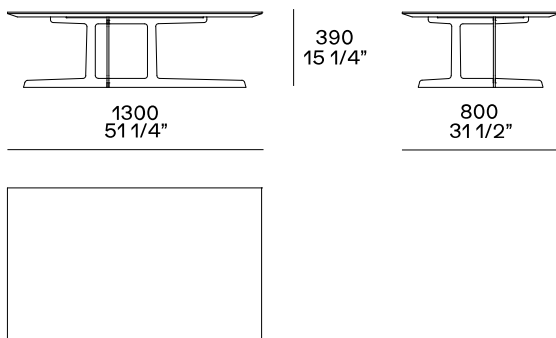
Optional drawer



Coffee table



Available only for coffee table 1200x1200 in the version with black elm top.



STRUCTURE FINISHES

Wood



Woods

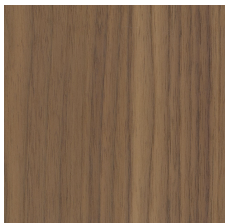
Metal parts



Metal parts

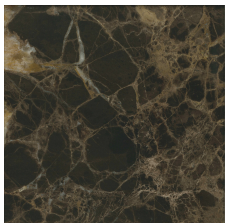
TOP FINISHES

Wood

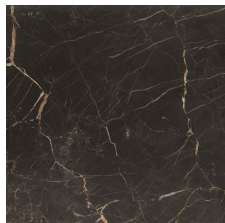


Woods

Marble



Mat marble



Glossy marble